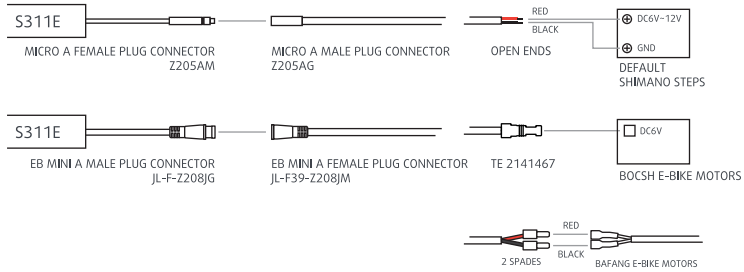




S311E

EXTENSION CABLE to e-bike battery

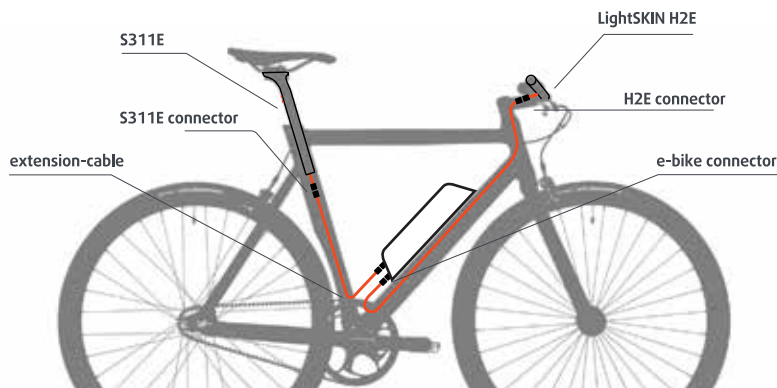


Operation

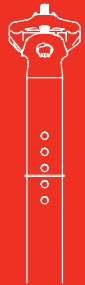
The rear light seat post does not have a switch. It will be switched on and off by e-bike.

Assembly

If you want to install the S311E on your own electric bike, make sure you can connect the cable between the seat tube and the e-bike controller first. Disassembly of the E-bike drive unit is a very professional task, so it is recommended to have a professional mechanic do it. Different types of E-BIKE use different connection methods. Be sure to check your E-BIKE MOTOR type before purchasing the product. It explained the connecting cables of SHIMANO, BOSCH, and BAFANG products that are generally used. For other E-BIKE MOTORS, ask to the motor manufacturer or bike seller about the connection method.



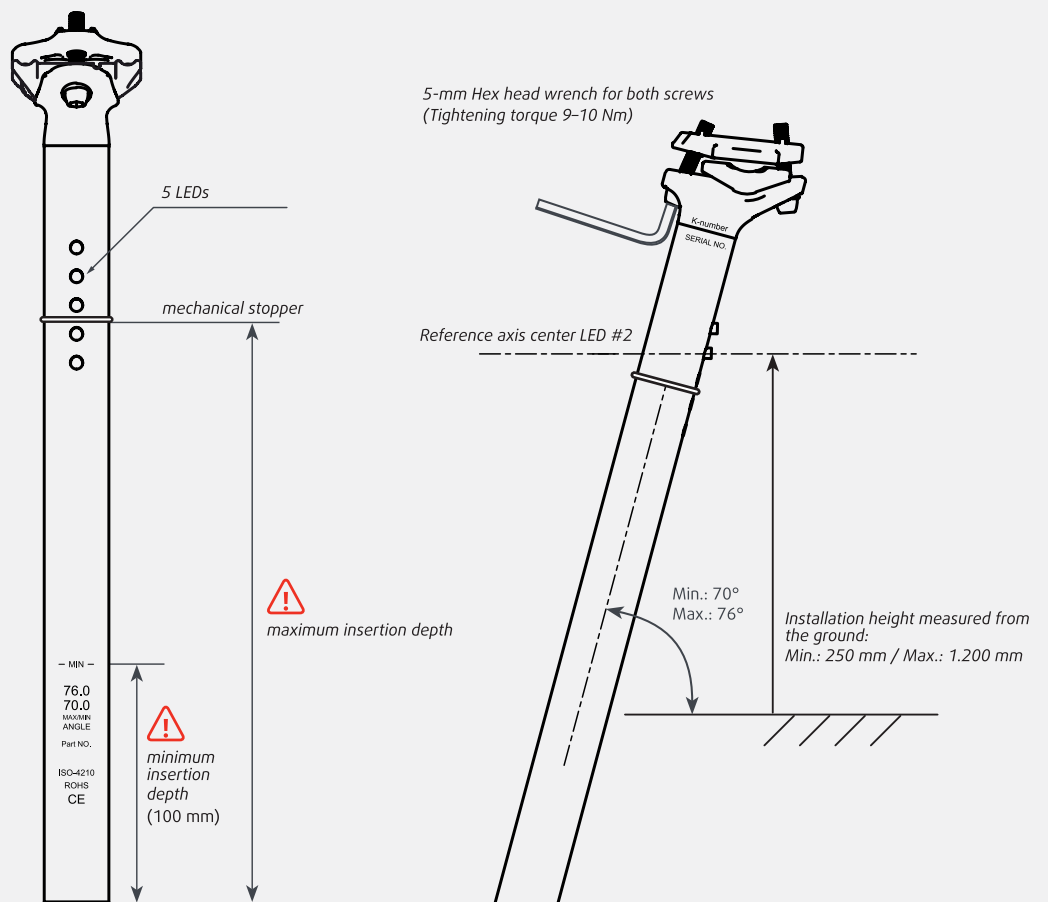
LightSKIN



USER GUIDE
LED taillight / Model S311E

Features	
Diameter (mm)	31.6 / 27.2
Length (mm)	350, 400
Colours	black / silver
Material	AL6061 T6
Power source	E-bike battery
Voltage / Power	DC 6V(5V-12V)/0.3W
Certifications	
ISO-4210	MTB = 31,6 mm City = 27,2 mm
K-number	~ K 1595
ETC	CE, ROHS
Weight limit (driver incl. clothing and luggage):	27,2 mm: 90 kg 31,6 mm: 110 kg
Admitted for:	
Scope of delivery	
Seatpost with integrated rear position light	
Contact	
Evergreen I&D 1273-39 Bamtijae-ro, Geochang-gun, Gyeongnam, 50147 South Korea www.lightskin.co.kr janet@lightskin.co.kr +82 70 4222 1273	

Technical drawing





LightSKIN S311E

Rear light for bicycles
(integrated in the seat post)

Thank you for choosing a product from LightSKIN. The tail light for bicycles integrated into the seat post ensures visibility and safety in road traffic with its glare-free LEDs. The tail light is approved according to the StVZO and may therefore be used in public road traffic in Germany.

This tail light is operated via the DC6V(5V-12V)/0.3W by e-bike battery.

The lower two LEDs may be recessed in the frame.

Installation notes:

- Only use the diameter that corresponds to your bicycle frame.
- Use the appropriate tool to attach the rear light.
- Observe the safety lines of the minimum insertion depth.
- The lower two LEDs may be recessed into the frame. A mechanical stop prevents the rear light from being pushed too deeply into the frame and thus obscuring and damaging the upper three LEDs.
- The rear light may only be operated in the following angle range (corresponds to the seat tube angle of the frame): Max. 76°, Min. 70°.
- The rear light must be mounted in such a way that it emits light backwards. The reference axis (see drawing) must be aligned parallel to the longitudinal axis of the vehicle.

Safety instructions:

- The product must be dry when it is put into operation. Remove any moisture before starting to ride.
- After mounting, test that the tail light does not drop when loaded.
- Make sure that the LEDs are not covered by a bag or clothing when riding.
- Do not make any independent modifications to the product. Do not attempt to open the product.

Procedure in case of a defect:

- If one or more of the 5 LEDs fail, the electronics switch off the entire power supply to all LEDs and cannot be switched on again. In this case, the rear light must be sent to the importer for repair or replaced.
- An electronic bypass zener diode prevents damage caused by overvoltage to the electronics or the LEDs.

Guarantee:

- Tail light and light module: 2 years from date of purchase.
- In the event of a warranty claim (replacement or repair), please contact the sales partner from whom the product was purchased.

Approval:

- The LightSKIN S311E is approved for category 2 bicycles and is therefore suitable for riding on paved roads, such as:
 - asphalted roads and cycle paths
 - paths paved with sand, gravel or similar materials (e.g. forest road, field path)
 - paved hiking trails on which there are no or only few roots, thresholds, stones and steps

Disposal note:

- Packaging: The product packaging consists of recyclable materials. Dispose of it in an environmentally friendly manner in the collection containers provided.
- Product: Old appliances must not be disposed of in normal household waste. In accordance with EU Directive 2012/19/EU, the product must be disposed of in an orderly manner at the end of its service life. Dispose of the old appliance at a collection point for electrical waste or at a recycling centre.

