



Contact :

Evergreen I&D
 1273-39 Bamtijae-ro,
 Geochang-gun, Gyeongnam,
 50147 South Korea
 www.lightskin.co.kr
 info@lightskin.co.kr
 +82 70 4222 1273

Features

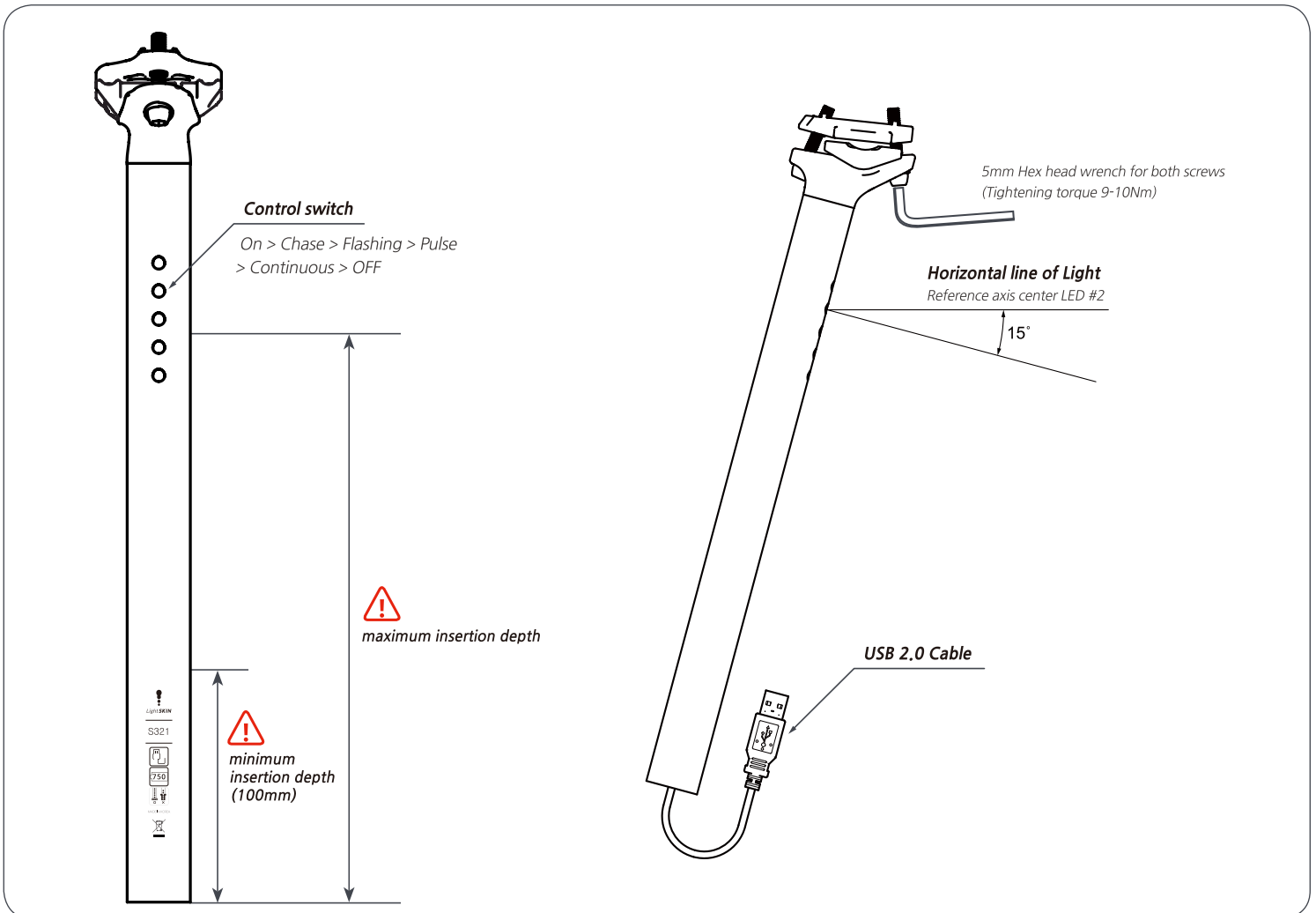
Diameter (in mm)	31.6 / 27.2
Length (in mm)	350
Colors / Colours	Black / Silver
Material	AL6061
Light Modules	5 LEDs - ver3 - Standard Micro USB 2.0 Charge 8 modes Non protruding LED Lens
Power source	Lithium-polymer battery

Certifications

ISO-4210	MTB = 31.6mm City = 27.2mm
ETC	CE, ROHS, UN3481



USER GUIDE
 LED seatpost / Model S321





LightSKIN S321

tail light for bicycles
(integrated into the seat post)

Thank you for choosing a lightSKIN product. lightSKIN S321 seat post is a tail light integrated product. Five glare-free LED lights makes the rider visible, but the surface of seat post still has sleek design. The three lower LEDs may be sunk into the frame if you ride with the seat post low.

The integrated lithium ion battery is charged via the 2.0 USB charging cable under the Seatpost and the seatpost should be removed from charging. The charge indicator - 3rd LED provides you with a charge status.

Your safety and visibility on the road is of utmost importance to us.

Installation :

- Use the correct diameter corresponding to your bicycle frame.
- Use the appropriate tool to fasten the saddle support.
- Adhere to the safety lines of the minimum and maximum insertion heights.
- Be careful not to damage the LEDs when inserting the seatpost into the frame.
- The lower two LEDs may be sunk in the frame. Always pay attention to the maximum insertion depth.
- The taillight must be mounted in such a way that it is illuminated at the rear. The reference axis (see drawing) must be aligned parallel to the bicycle's longitudinal axis.

Operation :

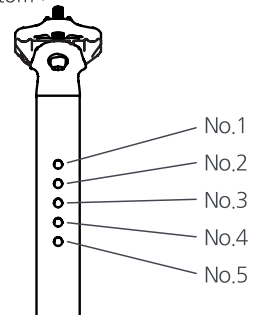
- Control Modes : The second top LED is used as an on/off/mode control and to change between the 3 and 5 light modes.
 - Mode Change
On > Chase > flashing > pulse > continuous > Off
 - Push and hold for 5 sec : change between the 3 and 5 light mode
 - Battery life :
- | | hours | | | |
|-------|-------|----------|-------|------------|
| | Chase | Flashing | Pulse | Continuous |
| 5LEDs | 20 | 20 | 50 | 10 |
| 3LEDs | 30 | 30 | 100 | 15 |
- Low battery alert : When the battery reaches a low charge state (approximately 1 hour remaining), the 3rd LED (lights up blue). The battery must then be charged.

Charging :

- In order to reach the full load capacity, it takes between 2.5 and 3 hours.
- During charging, the 3rd LED flashes with low blue light, the flashing stops when the battery is completely charged. When the battery is fully charged, remove the cable from the USB port.
- Should the product become excessively hot during charging, cancel the charging process.
- Never charge the battery when the cable end is wet.
- Full charge and discharge cycles : 500
- When the battery is fully discharged, the blue LED may not light up or flash during charging. In this case, charge even if the blue LED does not flash.

Malfunctions :

The LEDs are numbered from top to bottom :



- If LED numbers 4 or 5, 4 and 5 are defective, it is okay to switch to the 3-LED mode to save battery.

Warranty :

- Seatpost and light module : 2 years from the date of purchase.
- In case of warranty, (replacement or repair), please contact the distributor through whom the product was purchased.

Waste Disposal :

- Packaging : The product packaging is made of recyclable materials. Dispose of these environmentally friendly in the provided collection containers.
- Product : Old appliances and batteries must not be disposed of with normal household waste.

According to EU Directive 2012/19/EU, the product must be disposed of properly at the end of its service life. Return the old device to a collection point for electronic waste or a recycling center.

Safety instructions :

- At startup, the product must be dry. Remove any moisture before riding.
- After installation, test that the seatpost does not drop under load.
- Take care that the LEDs are not covered by a bag or clothing when riding.
- Do not make any independent changes to the product. Do not try to open the product.
- The product contains lithium batteries, which are subject to special conditions in air traffic. Please inquire with your airline or forwarding agent before transport.

